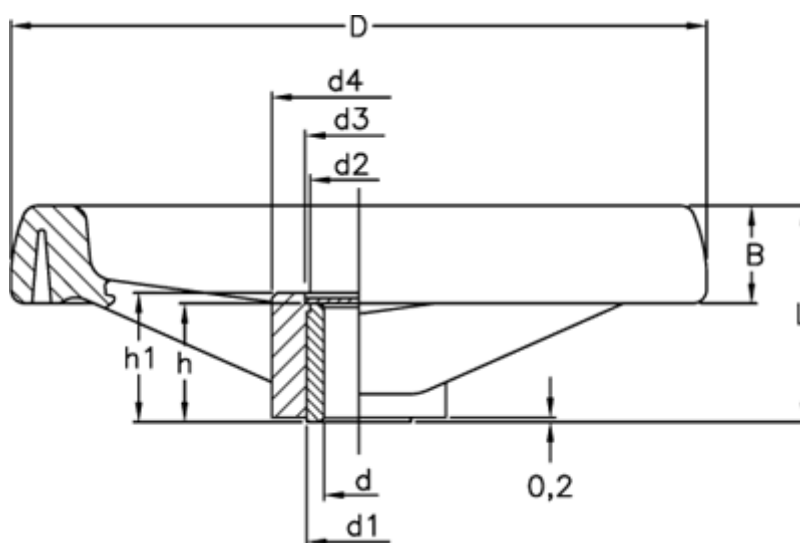


Article number: 2301078911R

Description: E+G handwheel
VRTP.250-A20

Measures



B	= 32	h	= 38
C (N m)	= 420	h1	= 40
D	= 249	L	= 70
d1	= 35	L (J)	= 28
d2	= 33		
d3	= 34		
d4	= 59		
d H7	= 20		